

Ground Support Specialist, L.L.C.

GS Series Domestic

Aircraft Deicers

Driving the Future



Central Control Console



*Single Diesel Engine
(Swing out Module)*



“Economy & Simplicity”

A Unique Concept in Aircraft De-Icing



**DESIGNED FOR
COMMUTER & NARROW BODY
AIRCRAFT
Up to 34'6" Working Height**

Key Features:

Dedicated Custom Chassis

***800, & 1400 Gallon Capacity
(Type I & IV)***

GSS

Mini-Max

“Quick Heat System”

980,000 BTU 12V

Joystick Controls

Model GS Series De-Icer's

A Simple, Economical Approach to De-Icer's

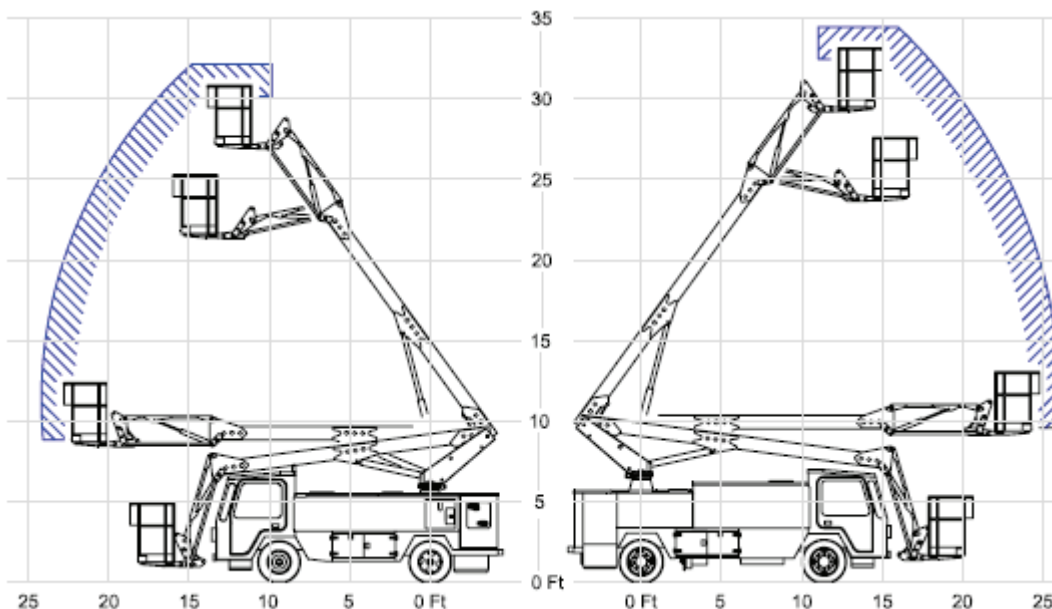
VEHICLE SPECIFICATIONS	GS 700	GS 1400
Fluid Tank (De-Ice)	600 US gal.	1200 US gal.
Fluid Tank (Anti-Ice)	200 US gal.	200 US gal.
De-Icing Fluid Pump	Keen 2-Stage Centrifugal	Keen 2-Stage Centrifugal
Anti-icing Fluid Pump	Hardi Rotary Pump 363	Hardi Rotary Pump 363
Fluid Delivery (De-Ice)	20-30GPM(76-114L) / 150 psi	20-30(76-114L)GPM / 150 psi
Fluid Delivery (Anti-Ice)	20 GPM (76L) / 50 psi	20 GPM (76L) / 50 psi
Heater: GSS "Mini-Max"	12 VDC. 980,000 BTU	12 VDC. 980,000 BTU
Quick Heat System Pre-Heat to Deice Time	Approx 12 min.	Approx 20 min.
Chassis:	Custom to Spec.	Custom to Spec.
Drive System	Hydrostatic / Dynamic Braking	Hydrostatic / Dynamic Braking
Engine	Perkins 404D Diesel	Perkins 1104D Diesel
Fuel	Diesel / 50 gal. (189 L)	Diesel / 50 gal.(189 L)
Maximum Speed	20 mph (32km/hr)	20 mph (32km/hr)
Max Deicing Speed	3 mph (5km/hr)	3 mph (5km/hr)
Aerial Device:	Articulating Boom	Articulating Boom
Max Working Height	32ft.(9.8 m)	34 ft.6 in.(10.5 m)
Dimensions:		
Length	23 Ft. 4 In. (7.1 m)	27 Ft. 8 In. (8.4m)
Width	7 Ft. 8 In. (2.3 m)	8 Ft. 4 In. (2.5 m)
Wheelbase	9 Ft. 3 In.(2.8 m)	11 Ft. 3 In. (3.4 m)
Height (Boom Retracted)	9 Ft. 7 In. (2.9 m)	10 Ft. 5 In. (3.2 m)
GVW Empty Tanks	11,700 lbs. (5307 kg)	13,500 lbs. (6124 kg)
GVW Full Tanks	15,800 lbs. (7167 kg)Cal	24,800 lbs. (11249 kg)Cal

Optional Equipment

- Caterpillar 3.4 Diesel
- Hardi 363 De-Icing Fluid Pump
- Type IV fill system
- In Cab Flow Meters
- Fire extinguisher mounted on unit
- Full body safety harnesses
- Frost Gun
- Remote Tank Level Gauges
- Fire Suppression System
- CE Certification

Safety Features

- Emergency stops in cab and basket.
- Emergency hydraulic pump control in basket and ground control station
- Boom control in basket and ground control station.
- High Speed Cutout When Boom is Raised
- Driver/Passenger seat belts.



Ground Support Specialist

**2205 Cole Road
Horn Lake, MS 38637
USA
Office: (662) 342-1412**

**Video available
at
www.gssonline.com**

Specifications subject to change without notice